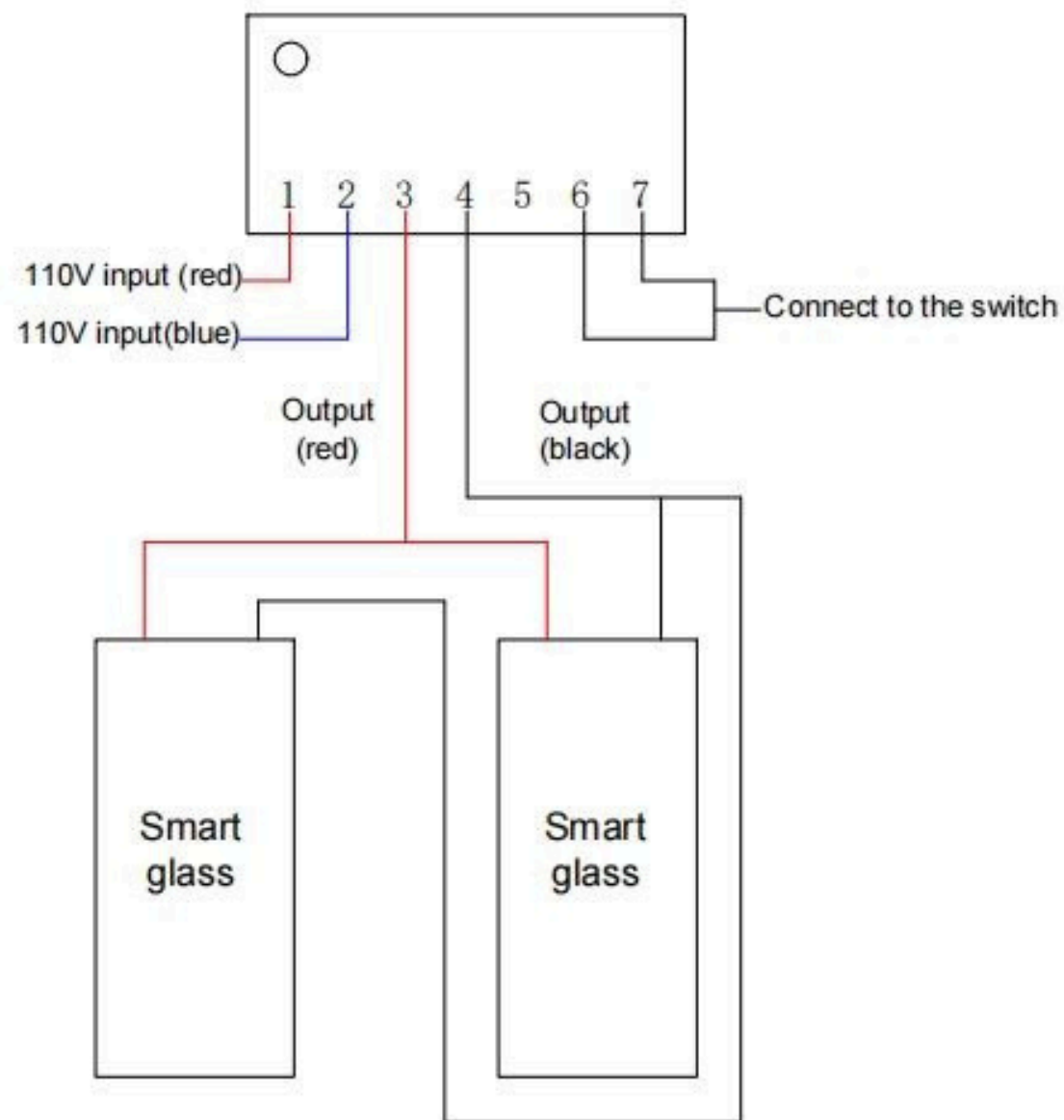


## Wiring Schematic Diagram of Smart Glass

The power supply is a dual-control function power supply, and the terminal wiring positions are as follows:

- 1: 1#、2# :Input;
- 2: 3#、4# : Output;
- 3: 6#、7# : Manual switch;

Schematic :



Attention: Please check the labels on the terminal block .

1. When using the remote control to switch, only need to connect to terminals 1# and 2# (110V), and connect the outputs of terminals 3# and 4# to the smart glass.

2. When using the dual-control function, the same as in item 1. Meanwhile, just connect terminals 6# and 7# to the panel switch.